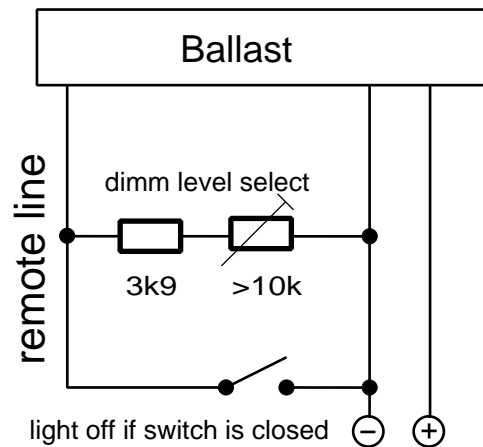


step dimming



The ballasts remote line is internal connected to an ADC input line with internal voltage divider powered by 5V. The remote line is internally protected by SI diode to block external plus voltages. The remote line is able to read out external connected resistors to GND / ballast housing GND or negative supply wire.

Function	ADC Ticks level remote line	resistor remote
On Off	< 400	0 Ohm / switch
full power 70	> 900	non connected or > 15k
mid power 50	< 900	10k approx 838 ticks
low power 30	< 770	3k9 approx 710 ticks

Off longer than 10 seconds idle mode: 5mA current consumption and reset with rising remote signal.

The maximum output power is for safety reasons limited with falling battery input voltage by the following formular:

$$P_{MAX\ BATTERY} = \frac{1}{2} (Volt\ Battery)^2$$

Note you need a battery voltage higher than 12V at the ballast side for beeing able to get 70W light output. A voltage drop in between ballast and battery for instance caused by long cables will limit the maximum power output.